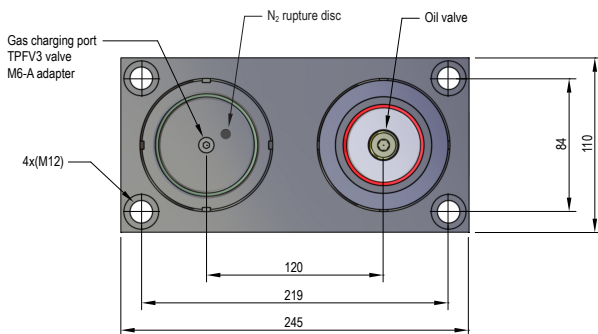
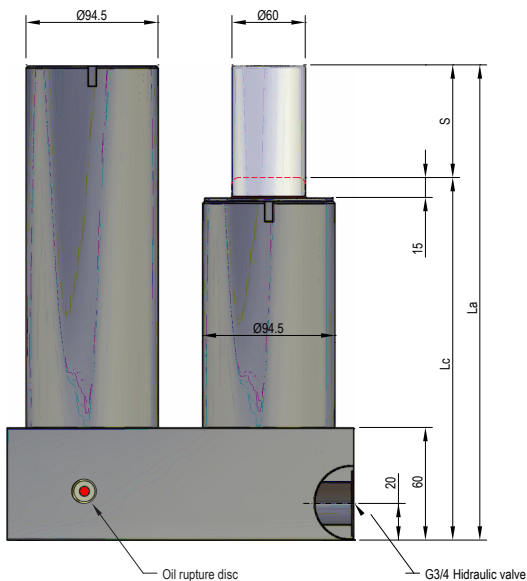


- i**
- MICRO
- TITAN
- TPH
- TPS
- TPSP
- TPF
- TPK
- TPC
- TPR
- TPB
- TPHC
- TPA
- TPG
- TPCT
- TPSL**
- STOP CYLINDER
- STOP CYLINDER
- TPSR
- TPSRs
- TPNS
- TPHT
-
-
-
-
-
-
-
-
-
-
-
-
-
-
-
-
-
-
-
-
-
-
-
-
-
-
-
-
-
-
-
-
-
-
-
-
-
-
-
-
-
-



Code	Smax mm	La mm	Lc mm	Max. operation force	Charging N ₂ pressure		Max. working specifications		Max. working temperature
					Min.	Max.	Velocity	Strokes / min	
TPCH 7500x25	25	205	180	7500 daN	50 Bar	150 Bar	20 m/min	40 spm	60 °C
TPCH 7500x50	50	255	205					30 spm	
TPCH 7500x80	80	315	235					20 spm	